

CU09 Series Micro USB 5 Circuits Receptacle SMT Type Connector

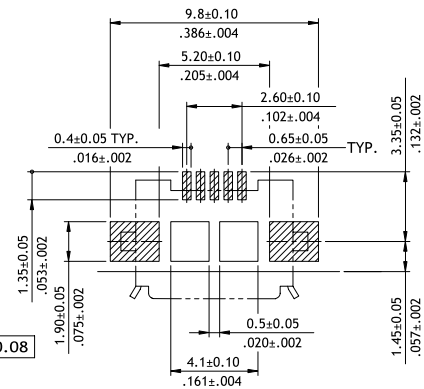
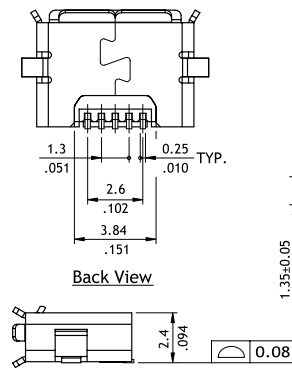
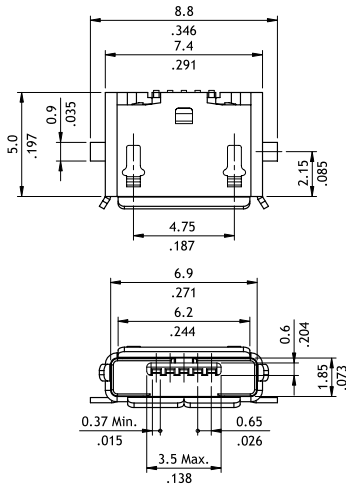
CU

- ⊙ High temperature plastic for insulator
- ⊙ With ground pegs
- ⊙ High durability and long cycle life

NEW

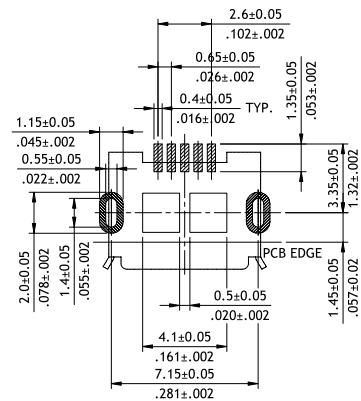
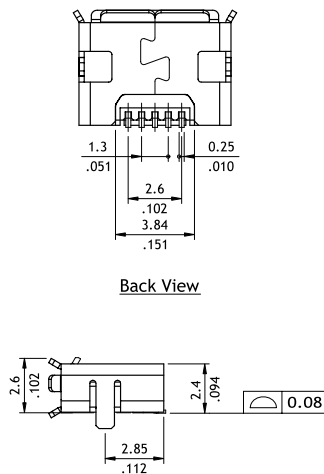
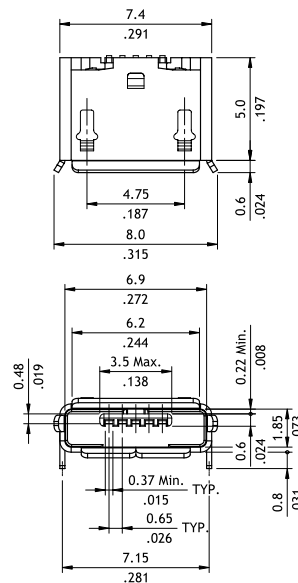


P/N CU09SAM15C0



Recommended P.C. Board Layout

P/N CU09SAM15CA



Recommended P.C. Board Layout

Ordering Code

1 2 3 4 5 6 7 8
C U 0 9 S A M 1 5 C A

- 1** Series No.
- 2** S= Socket
- 3** Plating code:
 A= Selectivr Gold flash plated over 1.02µm (40µ) Nickel
- 4** Tail style: M=SMT Type
- 5** Insulator Color: 1= Black
- 6** No of Circuits: 5= 5 Pin
- 7** Type : C=Micro USB 5 Pin Type-AB
- 8** Option : 0=Standard (with Fixed TAB)
 A= with pegs