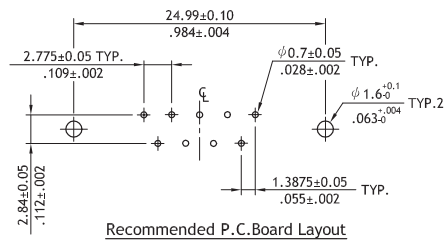
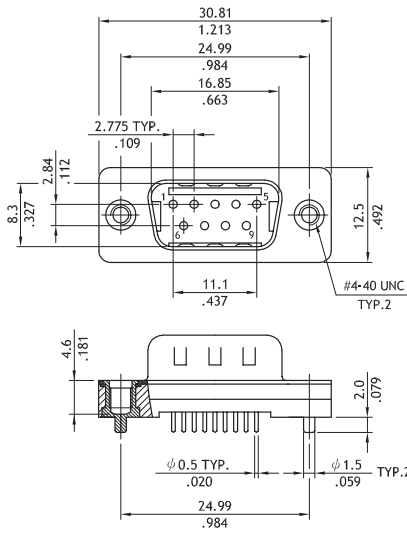
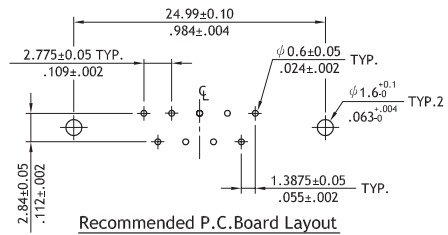
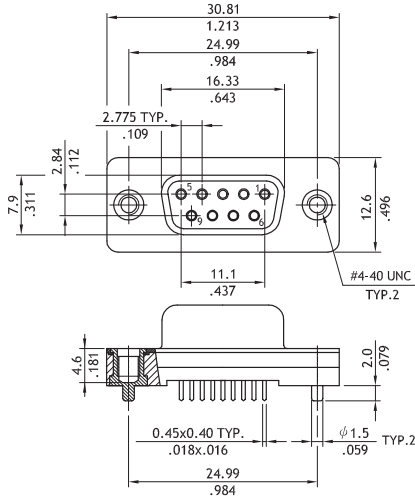
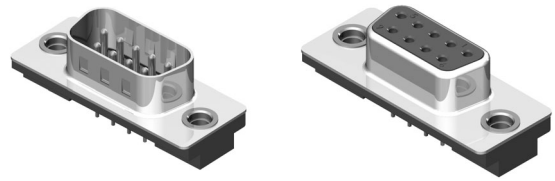


CD58 Series Low Profile D-Sub

☉ Mate with standard D-Sub



Ordering Code

1 **2** **3** **4** **5** **6**
CD 5 8 0 9 S 2 1 0 0

- 1** Series No.
- 2** Contacts: 9
- 3** Connector type:
P= Plug
S= Receptacle
- 4** Plating code:
2= Gold flash over Nickel
*Optional plating available but MOQ requested
- 5** Insulator Color:
1=Black
- 6** Other options:
00= Standard (Tape & Reel Packing)
*Special options consult manufacturer