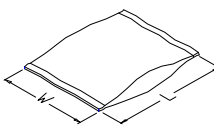


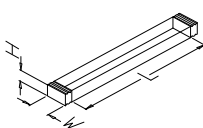
SERIES OR P/N	SHELL SIZE	PACKING METHOD CODE	INNER PACKING NO.	INNER PACKING SIZE (CM)			INNER PACKING Q'TY	INSIDE CARTON NO.	INSIDE CARTON SIZE (CM)			PCS / INSIDE CARTON	CARTON NO.	CARTON SIZE (CM)			PCS / CARTON	G.W REF. (KG)
				L/D	W	H			L	W	H			L	W	H		
C3W3 SERIES 90° DIP TYPE	15	G	PACK-TBC001	58.50	2.92	1.92	14	PACK-IBC003	59.7	8.48	9.7	210	PACK-CTC009	61	19	22	840	15
C7W2 SERIES 90° DIP TYPE	15	G	PACK-TBC001	58.50	2.92	1.92	14	PACK-IBC003	59.7	8.48	9.7	210	PACK-CTC009	61	19	22	840	15
11W1 SERIES 90° DIP TYPE	15	G	PACK-TBC001	58.50	2.92	1.92	14	PACK-IBC003	59.7	8.48	9.7	210	PACK-CTC009	61	19	22	840	15
C5W5 SERIES 90° DIP TYPE	25	G	PACK-TBC001	58.50	2.92	1.92	10	PACK-IBC003	59.7	8.48	9.7	150	PACK-CTC009	61	19	22	600	16
13W3 SERIES 90° DIP TYPE	25	G	PACK-TBC001	58.50	2.92	1.92	10	PACK-IBC003	59.7	8.48	9.7	150	PACK-CTC009	61	19	22	600	16
17W2 SERIES 90° DIP TYPE	25	G	PACK-TBC001	58.50	2.92	1.92	10	PACK-IBC003	59.7	8.48	9.7	150	PACK-CTC009	61	19	22	600	16
C8W8 SERIES 90° DIP TYPE	37	G	PACK-TBC001	58.50	2.92	1.92	8	PACK-IBC003	59.7	8.48	9.7	120	PACK-CTC009	61	19	22	480	17
21W4 SERIES 90° DIP TYPE	37	G	PACK-TBC001	58.50	2.92	1.92	8	PACK-IBC003	59.7	8.48	9.7	120	PACK-CTC009	61	19	22	480	17
25W3 SERIES 90° DIP TYPE	37	G	PACK-TBC001	58.50	2.92	1.92	8	PACK-IBC003	59.7	8.48	9.7	120	PACK-CTC009	61	19	22	480	17

PACKING METHOD (包裝方式) :

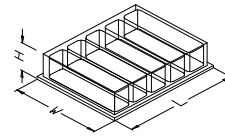
1 PVC BAG
(塑膠袋)
SIZE = L * W



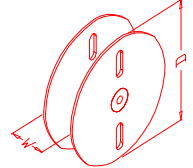
2 TUBE
(塑膠管)
SIZE = L * W * H



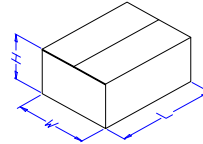
3 PVC TRAY
(塑膠盒)
SIZE = L * W * H



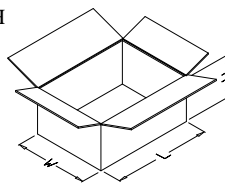
4 REEL
(紙盤)
SIZE = D * W



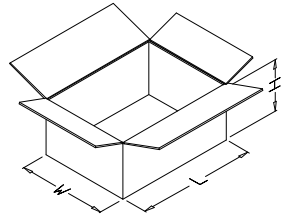
5 BOX
(內紙盒)
SIZE = L * W * H



6 INSIDE CARTON
(內箱)
SIZE = L * W * H



7 OUTSIDE CARTON
(外箱)
SIZE = L * W * H



PACKING METHOD CODE(包裝方式代碼) :

A =	1	7
B =	2	7
C =	3	7
D =	4	7
E =	5	7
F =	1	6
G =	2	6
H =	3	6