

文件編號 : V00345D511

版 別 : 1

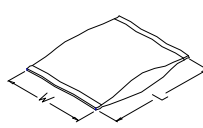
PACKING STANDARD

製訂日期 : 2003/01/28

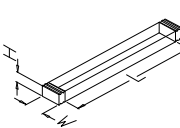
SERIES OR P/N	CIRCUITS	PACKING METHOD CODE	INNER PACKING NO.	INNER PACKING SIZE (CM)			INNER PACKING Q'TY	INSIDE CARTON NO.	INSIDE CARTON SIZE (CM)			PCS / INSIDE CARTON	CARTON NO.	CARTON SIZE (CM)			PCS / CARTON	G.W REF. (KG)
				L/D	W	H			L	W	H			L	W	H		
CD51**P(S)****	9	C					50									1000		
CD51**P(S)****	15	C					50									1000		
CD51**P(S)****	25	C					50									1000		
CD51**P(S)****	37	C					40									1000		
CD51**P(S)****	50	C					50									1000		

PACKING METHOD (包裝方式) :

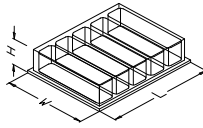
1 PVC BAG (塑膠袋)
SIZE = L * W



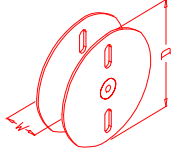
2 TUBE (塑膠管)
SIZE = L * W * H



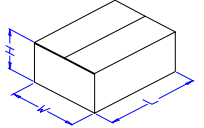
3 PVC TRAY (塑膠盒)
SIZE = L * W * H



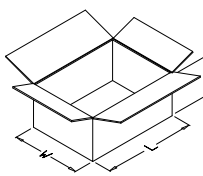
4 REEL (紙盤)
SIZE = D * W



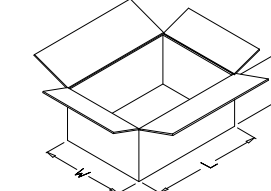
5 BOX (內紙盒)
SIZE = L * W * H



6 INSIDE CARTON (內箱)
SIZE = L * W * H



7 OUTSIDE CARTON (外箱)
SIZE = L * W * H



PACKING METHOD CODE (包裝方式代碼) :

A = 1	7
B = 2	7
C = 3	7
D = 4	7
E = 5	7
F = 1	6 7
G = 2	6 7
H = 3	6 7